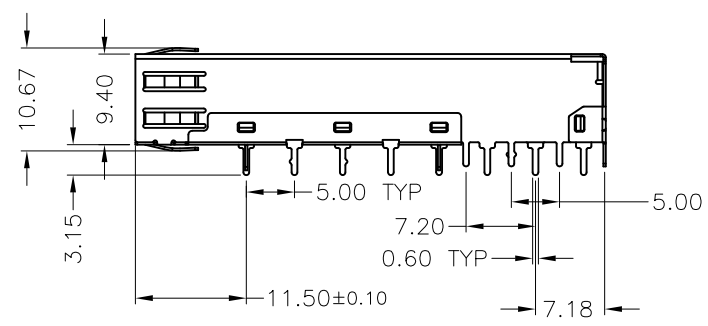
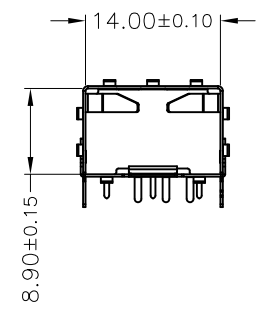
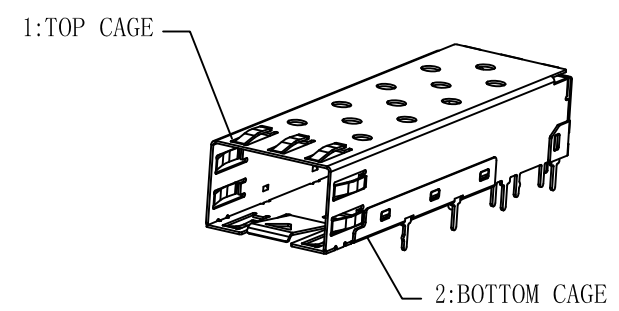
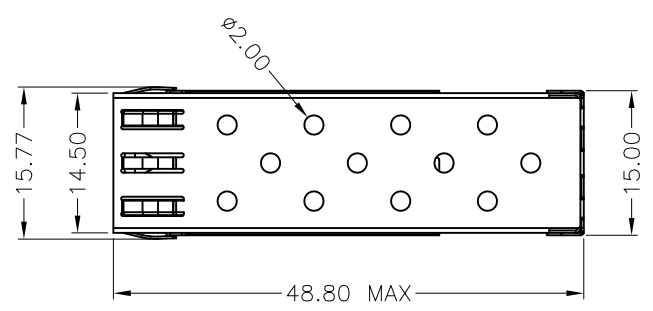


1 2 3 4 5 6 7 8

F
E
D
C
B
A

F
E
D
C
B
A



NOTES:

- 1. MATERIAL:
TOP CAGE: COPPER ALLOY, THICKNESS 0.25mm
BOTTOM CAGE: SUS304, THICKNESS 0.25mm
- 2. TEMPERATURE :
OPERATION: -40° C ~ +85° C
STORAGE: -55° C ~ +105° C

ITEM	PARTS NAME	Q'TY	MATERIAL	FINISH/REMARK
1	TOP CAGE	1	COPPER ALLOY	NI 50U" MIN
2	BOTTOM CAGE	1	SUS	

REV.	ECN. NO.	DRAWN	DATE	EC.content
A	NEW	ALLEN	06/18/2020	-



⊗: QUALITY CONTROL ITEM		GENERAL TOLERANCE		PART NO.: SF11-4010-XX1N		
APPROVED		.X± 0.13	X.*± 2'	TITLE: SFP 1X1 CAGE		
CHECKED		.XX± 0.08	.X*± 1'	/		
DRAWN		.XXX± 0.05		UNIT: mm	SCALE: 1:1	SHEET: 1/2
				REV.: A.0		

DIE ON: XXXXXX
SIZE: A4

1 2 3 4 5 6 7 8

F

E

D

C

B

A

F

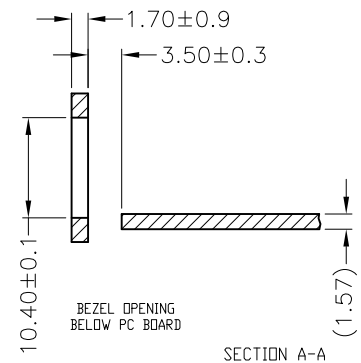
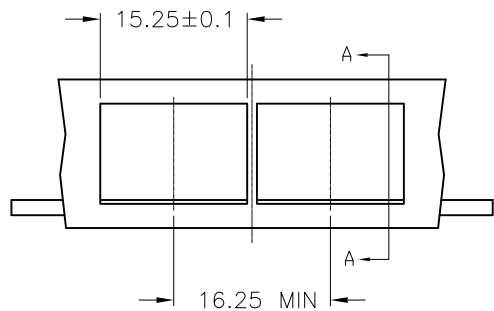
F

D

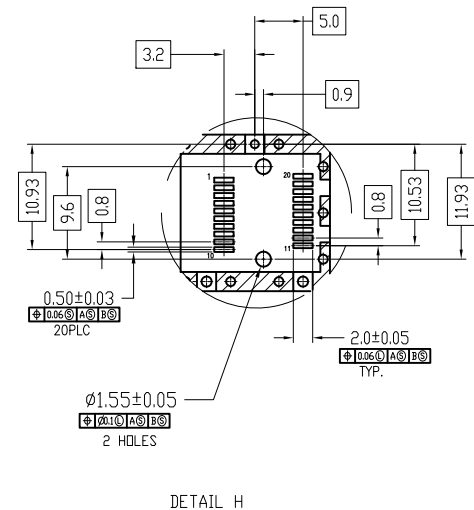
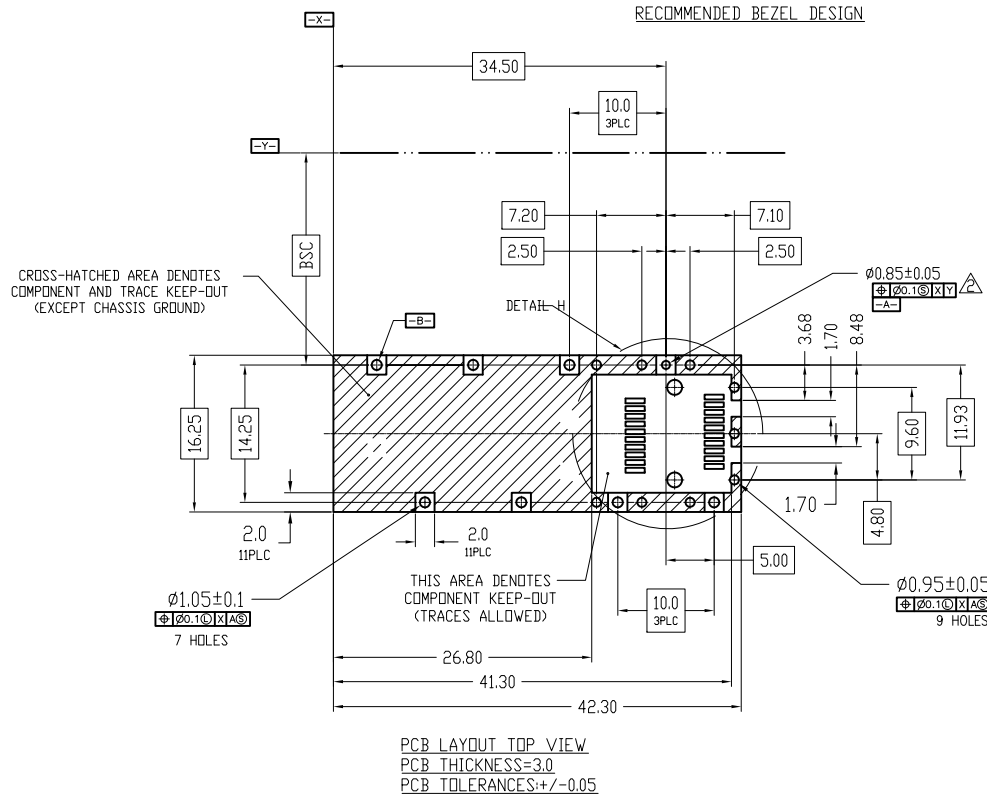
C

DIE ON: XXXXXX

SIZE: A4



RECOMMENDED BEZEL DESIGN



REV.	ECN. NO.	DRAWN	DATE	EC.content
A	NEW	ALLEN	06/18/2020	-



⊗: QUALITY CONTROL ITEM		GENERAL TOLERANCE		PART NO.: SF11-4010-XX1N		
APPROVED		.X± 0.13	X.'± 2'	TITLE: SFP 1X1 CAGE		
CHECKED		.XX± 0.08	.X'± 1'	/		
DRAWN		.XXX± 0.05		UNIT: mm	SCALE: 1:1	SHEET: 2/2
						REV.: A.0

1

2

3

説明: △ :備註 ◇ :版本變更 ① :尺寸序號 ■ :重點尺寸 ▼ :CPK尺寸

DOCUMENT NO. : ZER0013/A.3